



Sunbeam Oster HOUSEHOLD PRODUCTS CUBE BLENDERS

SERVICE MANUAL 2000

11/30/2000



			2000				
		X	PART NO.				
6644		X					
6645			X				
6646				X			
6647					X		
BASIC PARTS	X						

120 V., 375W., 60 HZ.

KEY #	DESCRIPTION	PART #	QUANTITY REQ'D				
			1	2	3	4	5
***	CONTAINER ASSY	STYLE D1***		1		1	1
***	CONTAINER ASSY	STYLE E1***		1			
1**	CORD, 8&10 SPD	002696-622-818					1
1**	CORD,12&14 SPD	002696-623-818		1	1	1	
2**	SCREW-PAN HD #8-18 X 5/8"	014342-035-000	3				
3**	SCREW-HEX WASHER #8-18 X 1"	014344-010-000	2				
4	WASHER, FLAT	017167-000-000	1				
5**	BRUSH/SPRING ASSEMBLY*	014931-000-000	2				
5**	BRUSH/SPRING ASSEMBLY (J TYPE)*	100533-000-000	2				
6**	AGITATOR ASSY	015126-000-000	1				
7	SLINGER	025729-002-000	1				
8	STUD- DRIVE	026247-002-000	1				
9	WASHER-PLASTIC	026861-000-000	1				
10	COUPLING-MACH	026921-001-000	1				
11**	BUMPER,BLACK	027477-000-000	4				
12	NUT - SPECIAL - CRS	027629-000-000	1				
13*	BRACKET ASY- MOTOR	027878-000-000	1				
13*	BRACKET ASY- MOTOR (J TYPE)	100532-000-000	1				
14*	FAN	027885-003-000	1				
14*	FAN (J TYPE)	100463-001-000	1				
15*	ARMATURE	027888-000-000	1				
15*	ARMATURE (J TYPE)	100465-000-000	1				
16**	SCREW, WSHR HD#10	030602-001-000	4				
17	MOTOR- ASSY 12 & 14 SP.	014708-917-000		1			
17	MOTOR- ASSY 10,12,14,16 SP.	101637-914-000			1	1	1
18	COLLAR,HEAVY	055036-001-085	4				
19*	CUBE TOP HOUSING,HTR	101593-200-805	1				
19*	CUBE TOP HOUSING,HTR (J TYPE)	083814-200-805	1				
20	CUBE BASE HOUSING	083815-002-859		1		1	1
21	CUBE BASE HOUSING	101594-000-859			1		
21	SWITCH CAP	083855-000-805		1	1		
22*	MAIN SWITCH, 14 SPD	083883-000-000	1				
22*	MAIN SWITCH	101797-000-000	1				
23	SLIDE SWITCH	083893-001-000	1				
22**	ESCUTCHEON,10 SPD, SLOPE	083905-002-000					1
22**	ESCUTCHEON,12 SPD, SLOPE	083906-001-000				1	
24**	ESCUTCHEON,14 SPD, SLOPE	083907-001-000		1	1		
25**	SCREW #4-24 X 1/2"	084026-000-000	2				
26	MOTOR MOUNT	101205-000-000	1				
26	MOTOR MOUNT (J TYPE)	084037-001-000	1				
**	FOOD PROCESSOR	033143-005-000				1	
**	INSTRUCTIONS BOOK	069309-001-000	1				

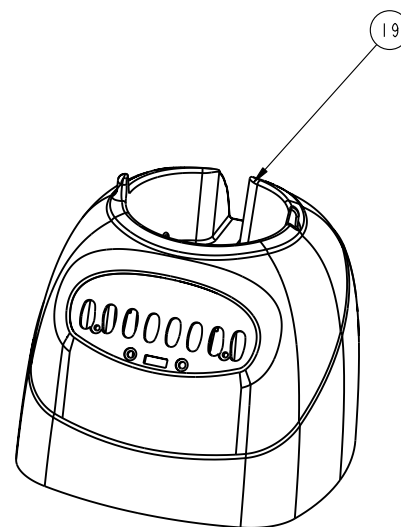
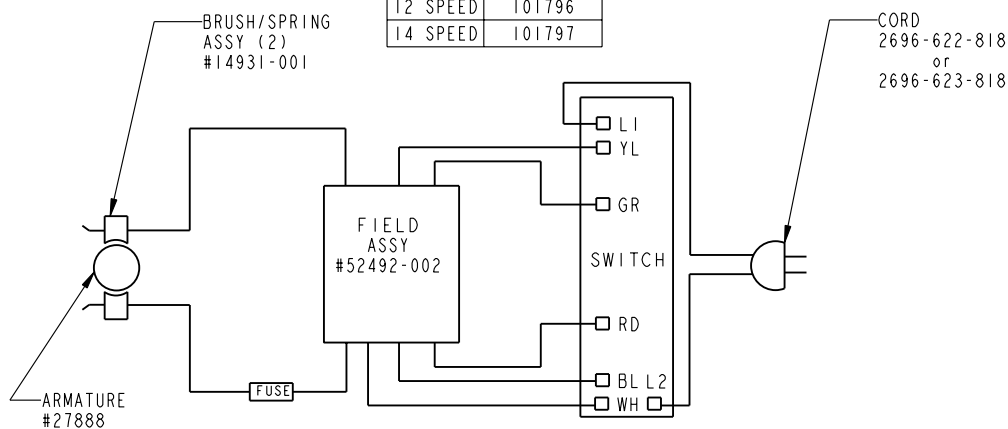
*PLEASE SEE NOTES REGARDING J TYPE PARTS

** NOT SHOWN ON DRAWING

*** (C,D,E) SEE BLENDER JARS CHART

J TYPE PARTS: There are some of our Blenders with this parts. Please check the exploded view below to identify. Please see the motor mount to identify the J type. Parts with (*) are NOT interchangeable with the others of same description. To replace the old motor (J type) use the new motor (see service manual) and use the old motor mount to be able

BLENDER	SWITCH
10 SPEED	101795
12 SPEED	101796
14 SPEED	101797



BLENDER	SWITCH
12 SPEED	83882
14 SPEED	83883-001

